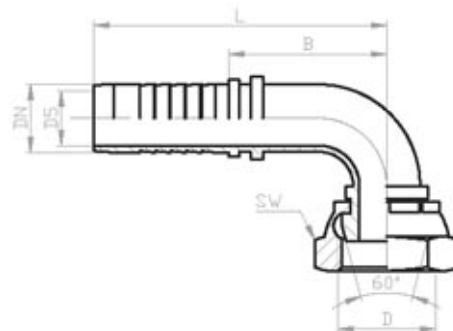


**DKR** - штуцер, конус 60°, дюймовая BSP резьба.

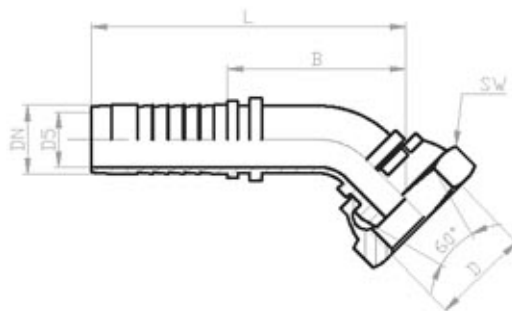
Артикул штуцера	РУКАВ			ГАЙКА		
	DN	Дюймы	размер	D в мм	Резьба (D)	Ключ (SW)
5 DKR 1/8"	5	3/16"	03	8,6	1/8" - 28	15
5 DKR 1/4"	5	3/16"	03	11,5	1/4" - 19	19
6 DKR 1/8"	6	1/4"	04	8,6	1/8" - 28	15
6 DKR 1/4"	6	1/4"	04	11,5	1/4" - 19	19
6 DKR 3/8"	6	1/4"	04	14,9	3/8" - 19	22
6 DKR 1/2"	6	1/4"	04	18,6	1/2" - 14	27
8 DKR 1/4"	8	5/16"	05	11,5	1/4" - 19	19
8 DKR 3/8"	8	5/16"	05	14,9	3/8" - 19	22
8 DKR 1/2"	8	5/16"	05	18,6	1/2" - 14	27
10 DKR 1/4"	10	3/8"	06	11,5	1/4" - 19	19
10 DKR 3/8"	10	3/8"	06	14,9	3/8" - 19	22
10 DKR 1/2"	10	3/8"	06	18,6	1/2" - 14	27
12 DKR 3/8"	12	1/2"	08	14,9	3/8" - 19	22
12 DKR 1/2"	12	1/2"	08	18,6	1/2" - 14	27
12 DKR 5/8"	12	1/2"	08	20,6	5/8" - 14	28
12 DKR 3/4"	12	1/2"	08	24,1	3/4" - 14	32
16 DKR 1/2"	16	5/8"	10	18,6	1/2" - 14	27
16 DKR 5/8"	16	5/8"	10	20,6	5/8" - 14	28
16 DKR 3/4"	16	5/8"	10	24,1	3/4" - 14	32
20 DKR 5/8"	20	3/4"	12	20,6	5/8" - 14	28
20 DKR 3/4"	20	3/4"	12	24,1	3/4" - 14	32
20 DKR 1"	20	3/4"	12	30,3	1" - 11	38
25 DKR 3/4"	25	1"	16	24,1	3/4" - 14	32
25 DKR 1"	25	1"	16	30,3	1" - 11	38
25 DKR 1.1/4"	25	1"	16	38,9	1.1/4" - 11	50
32 DKR 1.1/4"	32	1.1/4"	20	38,9	1.1/4" - 11	50
32 DKR 1.1/2"	32	1.1/4"	20	47,8	1.1/2" - 11	55
40 DKR 1.1/2"	40	1.1/2"	24	47,8	1.1/2" - 11	55

**DKR 90°** – угловой штуцер, конус 60° , дюймовая BSP резьба.



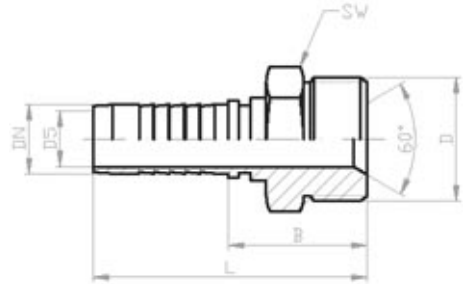
Артикул штуцера	РУКАВ			ГАЙКА		
	DN	Дюймы	размер	D в мм	Резьба (D)	Ключ (SW)
5-90 DKR 1/8"	5	3/16"	03	8,6	1/8" - 28	15
5-90 DKR 1/4"	5	3/16"	03	11,5	1/4" - 19	19
6-90 DKR 1/8"	6	1/4"	04	8,6	1/8" - 28	15
6-90 DKR 1/4"	6	1/4"	04	11,5	1/4" - 19	19
6-90 DKR 3/8"	6	1/4"	04	14,9	3/8" - 19	22
6-90 DKR 1/2"	6	1/4"	04	18,6	1/2" - 14	27
8-90 DKR 1/4"	8	5/16"	05	11,5	1/4" - 19	19
8-90 DKR 3/8"	8	5/16"	05	14,9	3/8" - 19	22
8-90 DKR 1/2"	8	5/16"	05	18,6	1/2" - 14	27
10-90 DKR 1/4"	10	3/8"	06	11,5	1/4" - 19	19
10-90 DKR 3/8"	10	3/8"	06	14,9	3/8" - 19	22
10-90 DKR 1/2"	10	3/8"	06	18,6	1/2" - 14	27
12-90 DKR 3/8"	12	1/2"	08	14,9	3/8" - 19	22
12-90 DKR 1/2"	12	1/2"	08	18,6	1/2" - 14	27
12-90 DKR 5/8"	12	1/2"	08	20,6	5/8" - 14	28
12-90 DKR 3/4"	12	1/2"	08	24,1	3/4" - 14	32
16-90 DKR 1/2"	16	5/8"	10	18,6	1/2" - 14	27
16-90 DKR 5/8"	16	5/8"	10	20,6	5/8" - 14	28
16-90 DKR 3/4"	16	5/8"	10	24,1	3/4" - 14	32
20-90 DKR 5/8"	20	3/4"	12	20,6	5/8" - 14	28
20-90 DKR 3/4"	20	3/4"	12	24,1	3/4" - 14	32
20-90 DKR 1"	20	3/4"	12	30,3	1" - 11	38
25-90 DKR 3/4"	25	1"	16	24,1	3/4" - 14	32
25-90 DKR 1"	25	1"	16	30,3	1" - 11	38
25-90 DKR 1.1/4"	25	1"	16	38,9	1.1/4" - 11	50
32-90 DKR 1.1/4"	32	1.1/4"	20	38,9	1.1/4" - 11	50
32-90 DKR 1.1/2"	32	1.1/4"	20	47,8	1.1/2" - 11	55
40-90 DKR 1.1/2"	40	1.1/2"	24	47,8	1.1/2" - 11	55

**DKR 45°** – угловой штуцер, конус 60° , дюймовая BSP резьба.



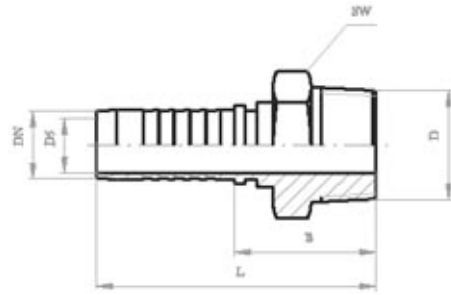
Артикул штуцера	РУКАВ			ГАЙКА		
	DN	Дюймы	размер	D в мм	Резьба (D)	Ключ (SW)
5-45 DKR 1/8"	5	3/16"	03	8,6	1/8" - 28	15
5-45 DKR 1/4"	5	3/16"	03	11,5	1/4" - 19	19
6-45 DKR 1/8"	6	1/4"	04	8,6	1/8" - 28	15
6-45 DKR 1/4"	6	1/4"	04	11,5	1/4" - 19	19
6-45 DKR 3/8"	6	1/4"	04	14,9	3/8" - 19	22
6-45 DKR 1/2"	6	1/4"	04	18,6	1/2" - 14	27
8-45 DKR 1/4"	8	5/16"	05	11,5	1/4" - 19	19
8-45 DKR 3/8"	8	5/16"	05	14,9	3/8" - 19	22
8-45 DKR 1/2"	8	5/16"	05	18,6	1/2" - 14	27
10-45 DKR 1/4"	10	3/8"	06	11,5	1/4" - 19	19
10-45 DKR 3/8"	10	3/8"	06	14,9	3/8" - 19	22
10-45 DKR 1/2"	10	3/8"	06	18,6	1/2" - 14	27
12-45 DKR 3/8"	12	1/2"	08	14,9	3/8" - 19	22
12-45 DKR 1/2"	12	1/2"	08	18,6	1/2" - 14	27
12-45 DKR 5/8"	12	1/2"	08	20,6	5/8" - 14	28
12-45 DKR 3/4"	12	1/2"	08	24,1	3/4" - 14	32
16-45 DKR 1/2"	16	5/8"	10	18,6	1/2" - 14	27
16-45 DKR 5/8"	16	5/8"	10	20,6	5/8" - 14	28
16-45 DKR 3/4"	16	5/8"	10	24,1	3/4" - 14	32
20-45 DKR 5/8"	20	3/4"	12	20,6	5/8" - 14	28
20-45 DKR 3/4"	20	3/4"	12	24,1	3/4" - 14	32
20-45 DKR 1"	20	3/4"	12	30,3	1" - 11	38
25-45 DKR 3/4"	25	1"	16	24,1	3/4" - 14	32
25-45 DKR 1"	25	1"	16	30,3	1" - 11	38
25-45 DKR 1.1/4"	25	1"	16	38,9	1.1/4" - 11	50
32-45 DKR 1.1/4"	32	1.1/4"	20	38,9	1.1/4" - 11	50
32-45 DKR 1.1/2"	32	1.1/4"	20	47,8	1.1/2" - 11	55
40-45 DKR 1.1/2"	40	1.1/2"	24	47,8	1.1/2" - 11	55

**AGR 60°** – штуцер (ниппель), внутренний конус 60°, дюймовая BSP резьба.



Артикул штуцера	РУКАВ			НИППЕЛЬ		
	DN	Дюймы	размер	D в мм	Резьба (D)	Ключ (SW)
5 AGR 1/8"	5	3/16"	03	9,73	1/8" - 28	15
5 AGR 1/4"	5	3/16"	03	13,16	1/4" - 19	19
6 AGR 1/8"	6	1/4"	04	9,73	1/8" - 28	15
6 AGR 1/4"	6	1/4"	04	13,16	1/4" - 19	19
6 AGR 3/8"	6	1/4"	04	16,66	3/8" - 19	22
6 AGR 1/2"	6	1/4"	04	20,96	1/2" - 14	27
8 AGR 1/4"	8	5/16"	05	13,16	1/4" - 19	19
8 AGR 3/8"	8	5/16"	05	16,66	3/8" - 19	22
8 AGR 1/2"	8	5/16"	05	20,96	1/2" - 14	27
10 AGR 1/4"	10	3/8"	06	13,16	1/4" - 19	19
10 AGR 3/8"	10	3/8"	06	16,66	3/8" - 19	22
10 AGR 1/2"	10	3/8"	06	20,96	1/2" - 14	27
12 AGR 3/8"	12	1/2"	08	16,66	3/8" - 19	22
12 AGR 1/2"	12	1/2"	08	20,96	1/2" - 14	27
12 AGR 5/8"	12	1/2"	08	22,91	5/8" - 14	28
12 AGR 3/4"	12	1/2"	08	26,44	3/4" - 14	32
16 AGR 1/2"	16	5/8"	10	20,96	1/2" - 14	27
16 AGR 5/8"	16	5/8"	10	22,91	5/8" - 14	28
16 AGR 3/4"	16	5/8"	10	26,44	3/4" - 14	32
20 AGR 5/8"	20	3/4"	12	22,91	5/8" - 14	28
20 AGR 3/4"	20	3/4"	12	26,44	3/4" - 14	32
20 AGR 1"	20	3/4"	12	33,25	1" - 11	38
25 AGR 3/4"	25	1"	16	26,44	3/4" - 14	32
25 AGR 1"	25	1"	16	33,25	1" - 11	38
25 AGR 1.1/4"	25	1"	16	41,91	1.1/4" - 11	50
32 AGR 1.1/4"	32	1.1/4"	20	41,91	1.1/4" - 11	50
32 AGR 1.1/2"	32	1.1/4"	20	47,80	1.1/2" - 11	55
40 AGR 1.1/2"	40	1.1/2"	24	47,80	1.1/2" - 11	55
40 AGR 2"	40	1.1/2"	24	59,62	2" - 11	70
50 AGR 2"	50	2"	32	59,62	2 - 11	70

**AGR-K** – штуцер (ниппель), конический,  
дюймовая BSP резьба.



Артикул штуцера	РУКАВ			НИППЕЛЬ	
	DN	Дюймы	размер	Резьба (D)	Ключ (SW)
5 AGR-K 1/8"	5	3/16"	03	1/8" - 28	12
5 AGR-K 1/4"	5	3/16"	03	1/4" - 19	15
6 AGR-K 1/8"	6	1/4"	04	1/8" - 28	12
6 AGR-K 1/4"	6	1/4"	04	1/4" - 19	15
6 AGR-K 3/8"	6	1/4"	04	3/8" - 19	19
8 AGR-K 1/4"	8	5/16"	05	1/4" - 19	15
8 AGR-K 3/8"	8	5/16"	05	3/8" - 19	19
10 AGR-K 1/4"	10	3/8"	06	1/4" - 19	15
10 AGR-K 3/8"	10	3/8"	06	3/8" - 19	19
10 AGR-K 1/2"	10	3/8"	06	1/2" - 14	22
12 AGR-K 3/8"	12	1/2"	08	3/8" - 19	19
12 AGR-K 1/2"	12	1/2"	08	1/2" - 14	22
16 AGR-K 1/2"	16	5/8"	10	1/2" - 14	22
16 AGR-K 3/4"	16	5/8"	10	3/4" - 14	27
20 AGR-K 3/4"	20	3/4"	12	3/4" - 14	27
20 AGR-K 1"	20	3/4"	12	1" - 11	36
25 AGR-K 1"	25	1"	16	1" - 11	36
25 AGR-K 1.1/4"	25	1"	16	1.1/4" - 11	46
32 AGR-K 1.1/4"	32	1.1/4"	20	1.1/4" - 11	46
32 AGR-K 1.1/2"	32	1.1/4"	20	1.1/2" - 11	50
40 AGR-K 1.1/2"	40	1.1/2"	24	1.1/2" - 11	50
40 AGR-K 2"	40	1.1/2"	24	2" - 11	50
50 AGR-K 2"	50	2"	32	2 - 11	65